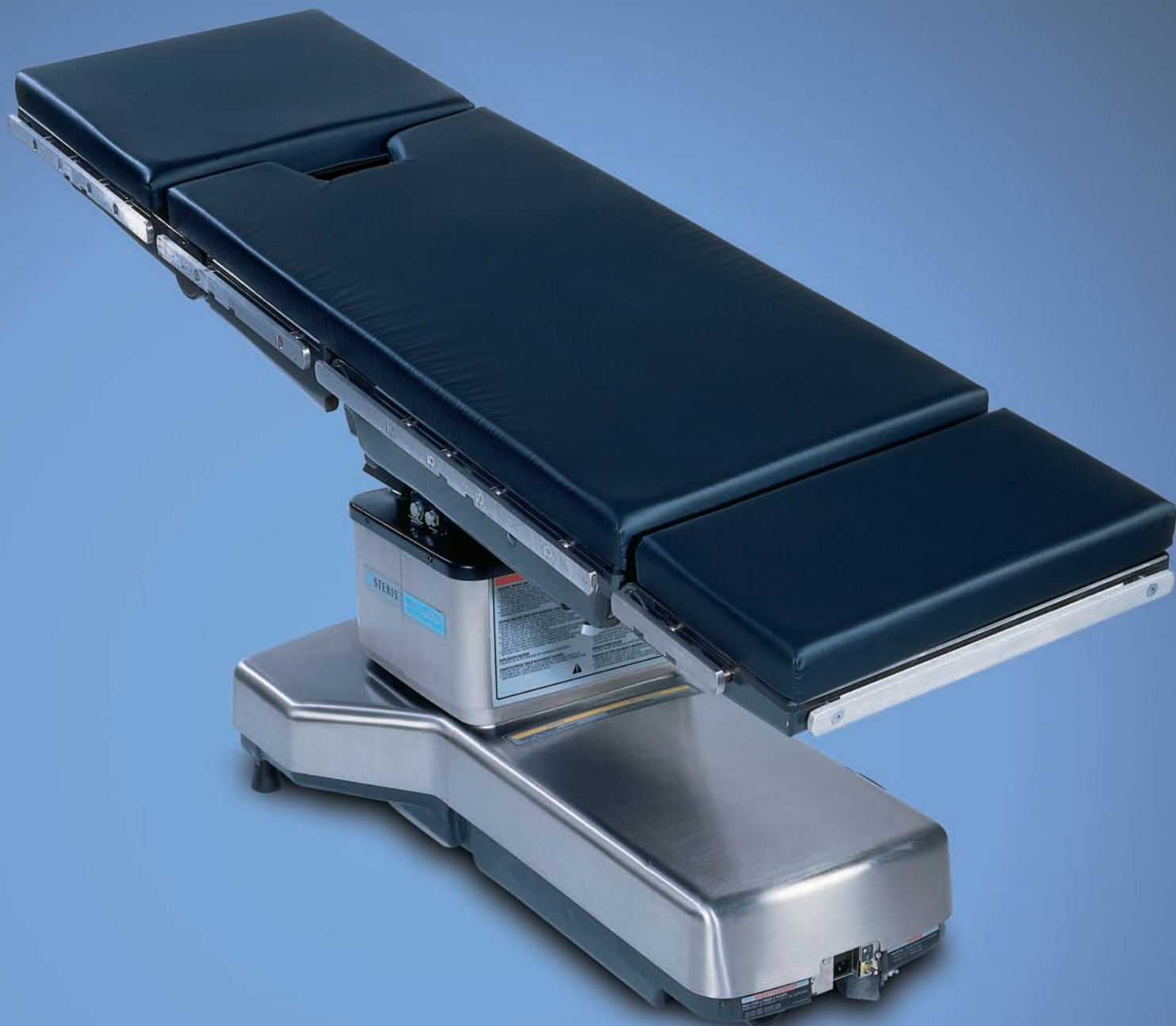


**The standard for versatility,
reliability and quality**

Amsco® 3085 SP
Surgical Table



STERIS®


One table for virtually every surgical procedure

The Amsco® 3085 SP Surgical Table

Exceptional reliability and the highest quality have made the difference with Amsco brand products and systems for over 100 years. The design and engineering excellence behind all of our surgical products and systems assures maximum reliability, performance, and value.

The Amsco 3085 SP surgical table provides complete flexibility for patient positioning, no matter how difficult the procedural or imaging requirements. Its proven performance assures you increased productivity, ease of use, and long-term reliability. No other table better meets the challenges of today's OR.

Unprecedented versatility for every surgical specialty

The Amsco 3085 SP table deftly handles virtually all the surgical specialties you expect a general surgical table to handle, including urology and neurology, pediatrics and bariatrics, ENT and endovascular, and even orthopedics, including skeletal traction, with accessories.

Future-ready to meet your needs

The Amsco 3085 SP surgical table is available in an ACT-enabled version that works seamlessly with other technology in your state-of-the-art OR. Using an Advanced Control Technology (ACT) system means that the table can be controlled remotely by integration systems from a variety of vendors (e.g., Karl Storz "OR1®" and Stryker "SIDNE®"). Check with your integration system provider to verify that they work with ACT-enabled technology. Current Amsco 3085 SP table owners can request an enhancement upgrade to make their equipment ACT-enabled as well.



The Amsco 3085 SP surgical table is designed to work seamlessly with other technology in your state-of-the-art OR.



Designed for flexibility in patient positioning

- Automatic conversion of functions for reverse patient positioning, regardless of headrest location: activating the “orient patient” function and selecting “reverse” or “normal” automatically interprets all subsequent commands according to the selected orientation.
- Bieri hydraulics provide ultra-precise tabletop articulation for specialties such as urology and neurology. Tabletop movement is smooth and accurate through the full range of positions.
- With the addition of the orthopedic extension, the 3085 SP surgical table pulls traction and provides positioning flexibility for hip and lower extremity orthopedic procedures.
- T-shaped pedestal design and reverse orientation provide optimal access to the patient by the entire surgical team regardless of the procedure.

Procedural Flexibility and Superior Imaging

Streamlined radiolucent tabletop offers easy C-arm access and complete upper and lower body image amplification (IA) coverage.

Battery-powered auxiliary control switches provide complete override capability during any emergency.

Advanced Bieri hydraulics achieve precise articulation and stability in positioning.

Foot control (optional) provides hands-free raising and lowering, Trendelenburg, reverse Trendelenburg and lateral tilt positioning.

Self-compensating floor locks adjust automatically for uneven surfaces, firmly fixing table in place.



The Amsco 3085 SP Table supports up to 1000 lb (454 kg) patients.



Latex-free Tri-Layer Technology (TLT) pads help reduce the incidence of pressure sores that may occur during lengthy procedures.*

X-ray top is designed so that cassettes can be loaded from the head, foot, or either side for a full range of exposure angles.*

Intelligent hand control with “orient patient” function automatically interprets positioning commands according to the selected orientation.

Manually operated kidney elevator rises 4" (102 mm) from tabletop and enables staff to physically feel pressure applied to patient, reducing chances of overextension.

Easy-glide casters provide excellent mobility.

T-shaped table base facilitates surgical team access, while radiused edges make it easy to clean.

**Note: Table comes standard with latex-free TLT pads and can be ordered with X-ray tops. TLT pads and X-ray tops can also be ordered separately.*

Strong support for your heaviest patients

All Amsco 3085 SP General Surgery Tables are rated to support 1,000 pound (454 kg) patients in Normal Orientation, and are compliant to UL2601-1, CSA M601.1, EN 60601-1 and EN 60601-2-46.

The 1,000 pound (454 kg) capacity of the 3085 surgical table not only includes the ability to support the patient in Normal Orientation, but also to raise, lower and posture the patient using the standard table controls, with the exception of side tilt. A 500 lb (227 kg) rating applies to side tilt in Normal Orientation and all Reverse Patient Orientation use.

Note: When performing surgery requiring a headrest other than the table head section in a Reversed Patient Orientation, or when using a Fem/Pop Board or the Cmax/3085 SP/3080 Orthopedic Extension accessory, the Amsco 3085 SP table accommodates patients weighing up to 400 lbs (181 kg). Also, the Shoulder Table (shown on page 15) will support 500 lb (227 kg) patients on the 3085 SP Table.



Gain traction for Orthopedic procedures

When the mobile, radiolucent orthopedic extension is in place, the 3085 SP surgical table has the positioning flexibility of an orthopedic surgical table for procedures such as hip pinning, intramedullary nailing (shown in photo), and tibia and fibula surgery.

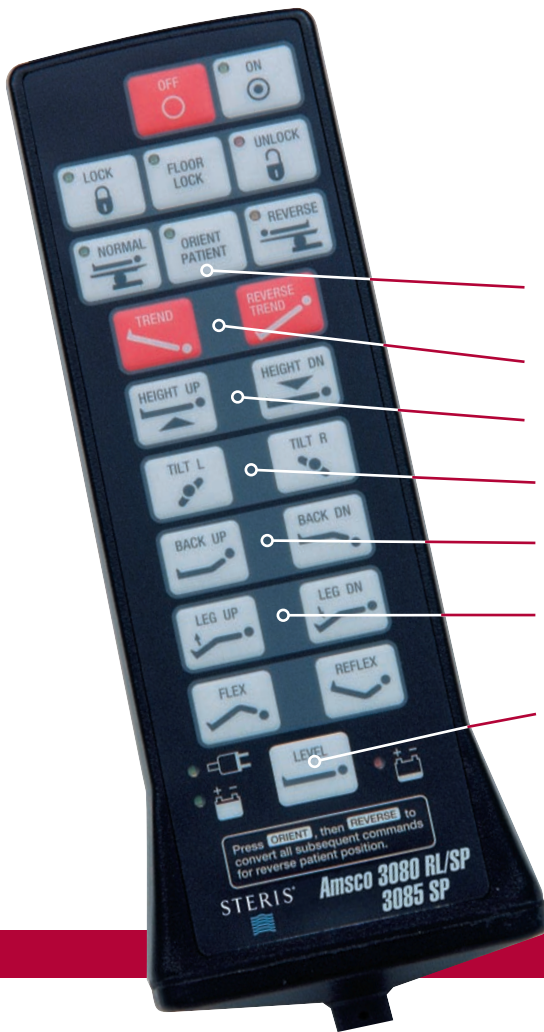
- Abductor bars feature two section construction for lower extremity positioning flexibility to accommodate patient size (up to 400 lb/181 kg) and condition, without compromising image quality or C-arm access.
- The stainless steel accessory cart functions as a convenient platform for docking, undocking and storage of the abductor bars and also provides ample storage for your orthopedic accessories.

For more information on the Cmax/3085 SP/3080 Orthopedic Extension, please see sales brochure M3108EN.



The Cmax/3085 SP/3080/Orthopedic Extension





Lightweight hand control is ergonomically designed for easy one-handed operation

“Orient patient” function frees table operator from having to think “backwards” for reverse patient orientation.

Trendelenburg/Reverse Trendelenburg – 25°

Raise/Lower Height
Range – 27" to 44" (686 mm to 1118 mm)

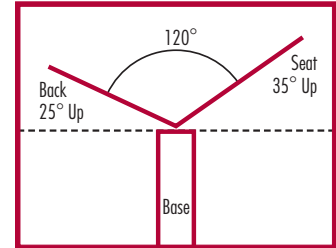
Lateral Tilt – 18°

Back Section:
Down – 25°; Up – 55°

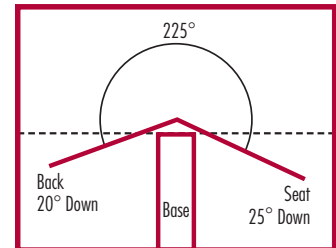
Leg Section:
Down – 105°; Up – 80°

“Level” function automatically returns the patient to level in an anatomically correct sequence of articulations, decreasing the potential for orthostatic hypotension.

Maximum nominal angle of flex and reflex (starting from level)



Reflex



Flex

Built-in stability and reliability

- Locking side-tilt cylinder prevents unanticipated lateral movement with a mechanical lock that backs up the hydraulic system until hydraulic pressure is at the desired level.
- Complete override protection during power outages. A manual foot pump ensures a second source of auxiliary power to drive the hydraulics and enable table articulation or relocation.
- Auxiliary control provide back-up for the hand and foot controls.



Auxiliary Control

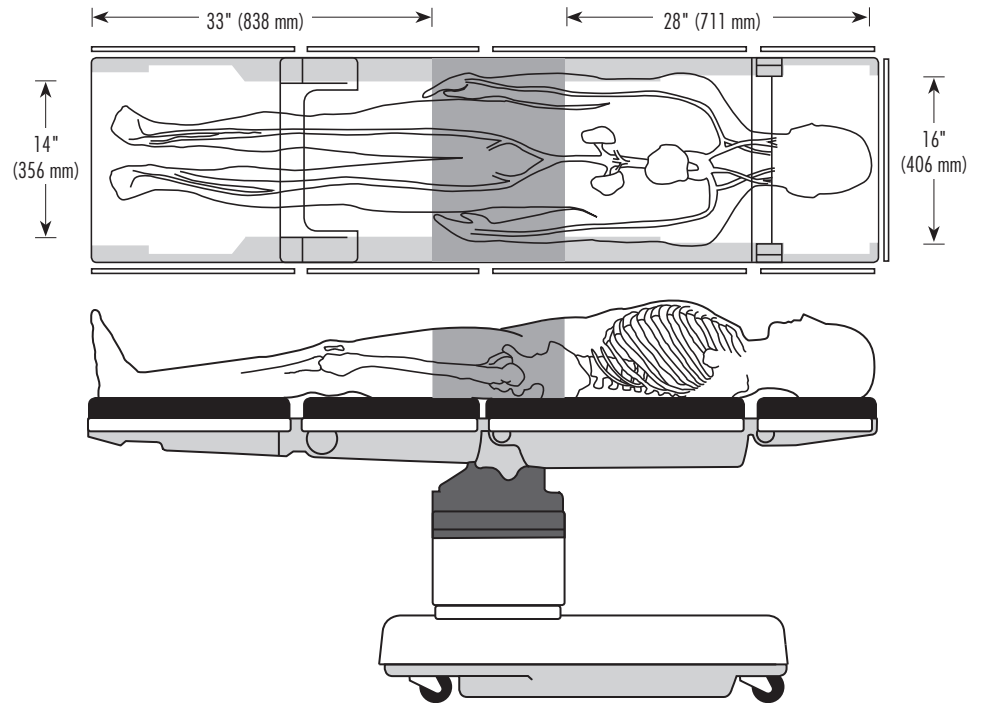


Foot Pump

Amsco 3085 SP Table Imaging Area (IA) Coverage

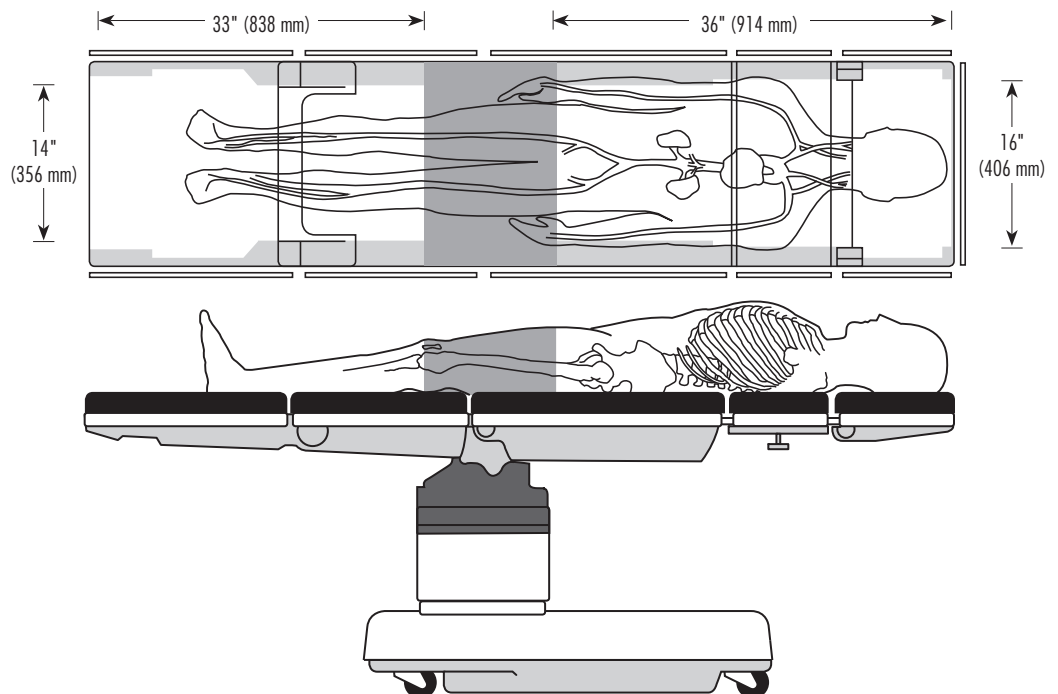
Standard Upper and Lower Body IA Coverage — Normal Patient Orientation

- Pacemaker insertions
- Hickman catheters
- Broviac insertions
- Shunts
- Lung biopsies
- Cholangiography
- Lower limb procedures



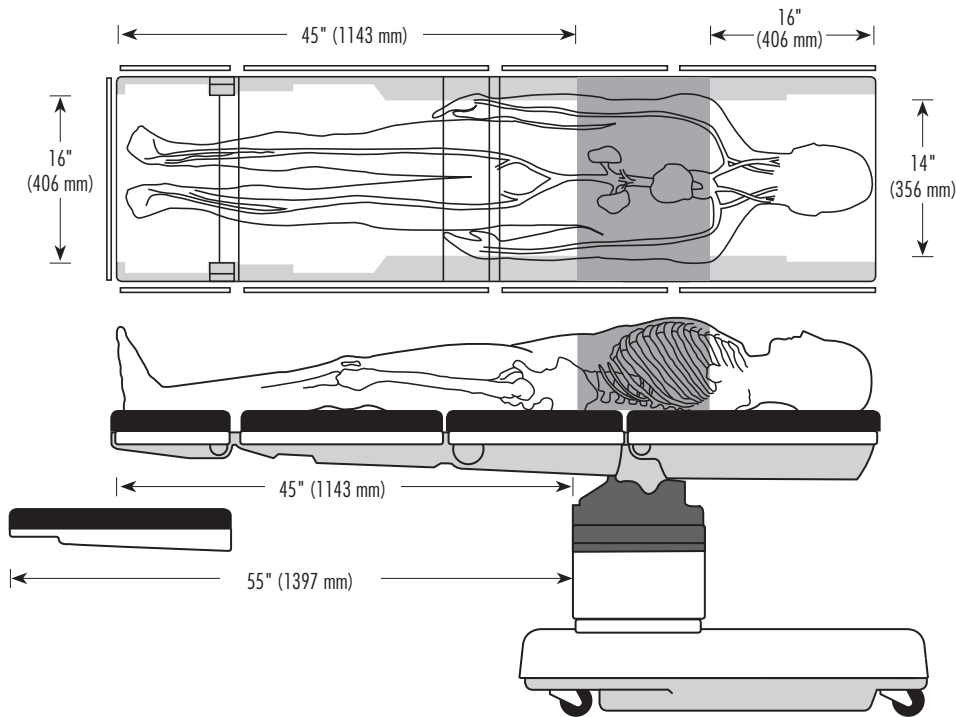
Extended Upper Body IA Coverage — Normal Patient Orientation with IA Extender

- Pacemaker insertions
- Hickman catheters
- Broviac Insertions
- Shunts
- IVC Filters
- Cholangiography
- Lung biopsies
- Implantable defibrillation
- Endoscopy



Exceptional image amplification (IA) coverage:

Radiolucent tabletop helps ensure superior fluoroscopic imaging.



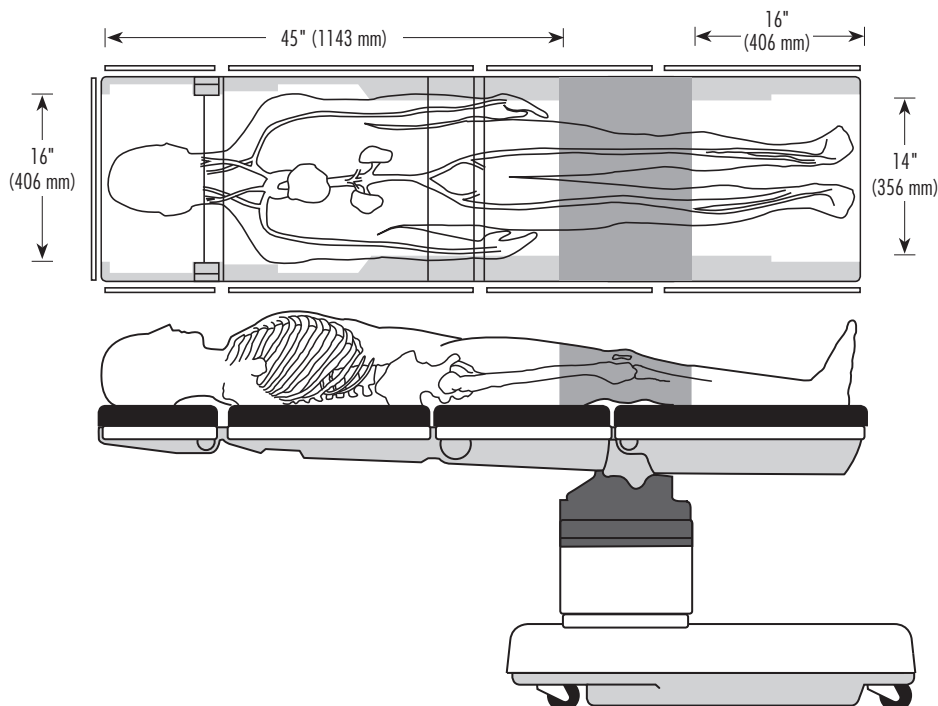
Extended Lower Body IA Coverage — Normal Patient Orientation with Head Section Reversed

- Lower body arterial imaging
- Lower limb, non-traction orthopedic procedures
- Total hip revisions

And, with the addition of Fem/Pop Board

- Femoral/popliteal bypass
- Laser angioplasty

Addition of Fem/Pop Board adds 10" (254 mm) to lower body coverage.



Upper Body IA Coverage — Reverse Patient Orientation with Head Section Reversed

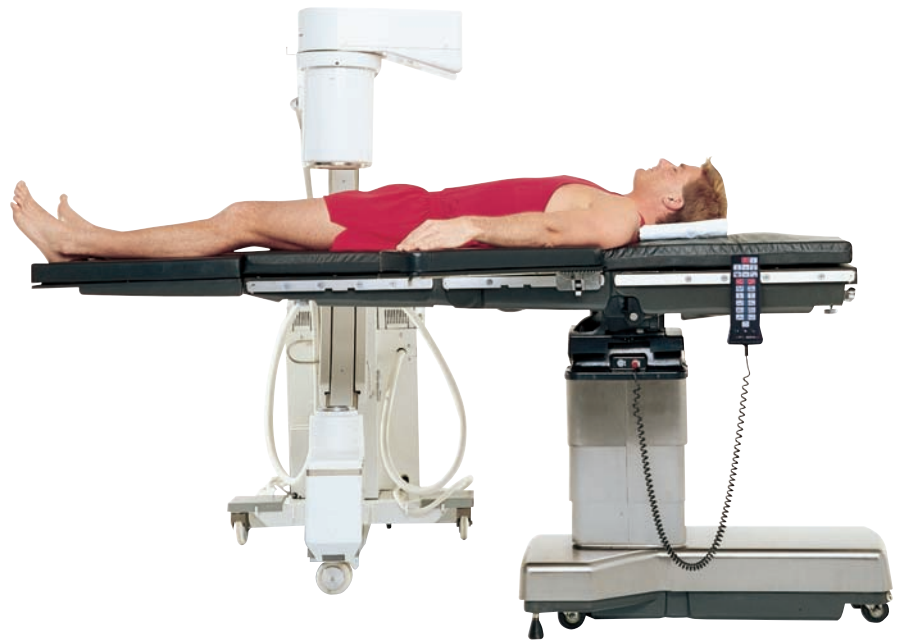
- Pacemaker insertions
- Cholangiography
- Spinal
- Endourology
- Total hip revisions
- Endoscopy

Exceptional patient positioning for the full spectrum of surgical procedures

Cardiovascular

Lateral tilt capability enhances surgeon's view of the internal mammary artery and addition of the Fem/Pop board provides unobstructed neck-to-toe C-arm access.

- Armboards with 2" (51 mm) pads
- Fem/Pop board
- Perineal cutout filler piece



Stenoscop mobile surgical C-arm supplied by
GE Medical Systems, Milwaukee WI 53201

*Note: Do not exceed 400 lb. (181 kg.) patient weight limit when using the Fem/Pop board.

Thoracic and Kidney

Positioning the patient with the illiocostal space directly over the flex between the seat and back sections minimizes the potential for physiological damage and provides excellent exposure of the kidney area.

- Armboard with 2" (51 mm) pad
- Multi-posture armboard with 2" (51 mm) pad
- Lateral braces
- Restraint strap
- Clark socket or multi-accessory clamp





Gall Bladder

A combination of “flex” and reverse Trendelenburg positioning provides excellent extension of the operative area.

- X-ray tops
- Armboards with 3" (76 mm) pads
- Foot extension with siderail locks
- Perineal cutout filler piece
- Restraint strap



Total Hip

With the patient in reverse orientation, the low-profile base and radiolucent top provide superior imaging capabilities.

- Armboard with 2" (51 mm) pad
- Multi-posture armboard with 2" (51 mm) pad
- Foot extension with siderail locks
- Restraint strap
- Clark socket or multi-accessory clamp

Important note: Refer to the Amsco 3085 SP Operator Manual furnished with the table concerning proper use and operation of the table.

Exceptional patient positioning for the full spectrum of surgical procedures

Nissen Fundoplication

Configuration of perineal cutout, Power-lift stirrups, leg section (drops a full 105°), back section (raises 55°), flexion of table and reverse Trendelenburg will provide excellent endoscopic access to the esophagus and stomach of any size patient. The surgeon will be positioned between the patient's legs.

- Bariatric table extensions (not needed for standard sized patients)
- Power-lift stirrups (Bariatric shown, also available in standard size)
- Reverse Trendelenburg Strap (standard or bariatric)
- Armboards with 2" (51mm) pad



Gynecology and Abdominal

Configuration of perineal cutout, Lithotomy legholders and leg section (drops a full 105°), provides excellent surgical access. ABC Stirrups or Power-lift Stirrups (not shown) can be used as leg support when the pelvis needs to be stabilized.

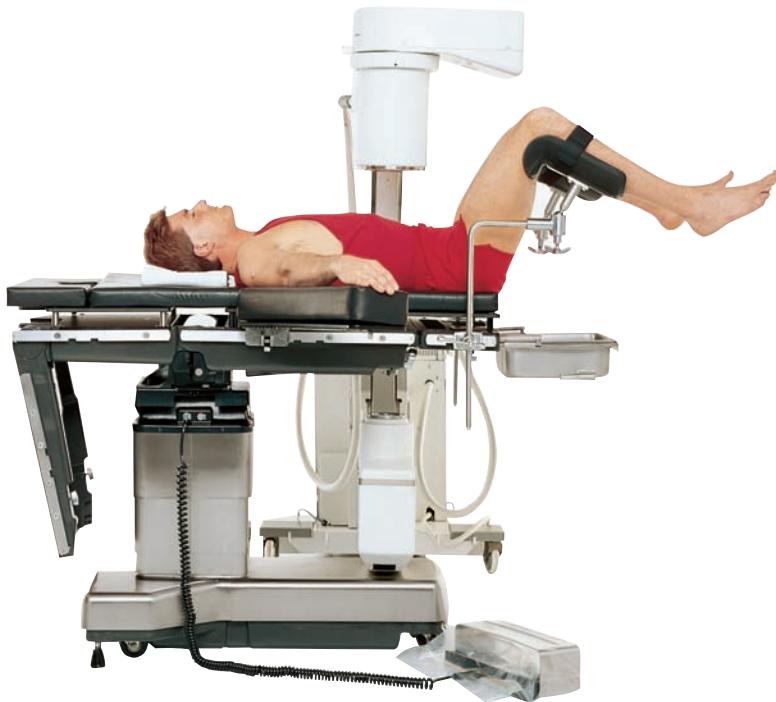
Gynecology:

- Armboards with 2" (51 mm) pads
- ABC Stirrups (or Power-lift Stirrups)

Abdominal (not shown):

- Armboards with 3" (76 mm) pads
- X-ray tops
- Universal legholders
- IA extender with 2" (51 mm) pad and X-ray top
- Clark sockets or multi-accessory clamps





Endourology

Fluoroscopic area is 34" (864 mm) in the endourology position providing ample coverage for KUB. Lightweight transfer board with pad (not shown) facilitates patient transfer and is removed after patient is positioned.

- X-ray tops
- Uro X-ray top
- Armboards with 3" (76 mm) pads
- Universal legholders (shown) or Power-lift Stirrups
- Drain pan (shown) or Fluid Collection System
- IA extender with 2" (51 mm) pad and X-ray top
- Patient transfer board with 2" (51 mm) pad (not shown)
- Clark sockets or multi-accessory clamps
- Foot control



Cystoscopy

Configuration of perineal cutout, drain pan and leg section (drops a full 105°), provides excellent surgical access.

- Armboards with 2" (51 mm) pads
- Universal legholders (shown) or Power-lift Stirrups
- Drain pan (shown) or Fluid Collection System
- Siderail locks
- Clark sockets or multi-accessory clamps
- Foot control

Note: If X-ray tops are used, armboards with 3" (76 mm) pads are recommended.

Exceptional patient positioning for the full spectrum of surgical procedures

Ophthalmic

Table can be lowered to 27" (686 mm) for excellent access by a seated surgeon. Reverse patient positioning provides ample room under the table for surgical access and ancillary medical equipment (e.g., microscope).

- Armboards with 2" (51 mm) pads
- Foot extension with siderail locks
- Eye-ENT-Neuro headrest adapter
- Ophthalmic headrest with surgeon wrist support
- Perineal cutout filler piece
- Restraint strap
- Foot control



Important note: Do not exceed 400 lb. (181 kg.) patient weight limit when using headrest accessories in reverse patient orientation.

Neurosurgery: Sitting

The Amsco 3085 SP surgical table's versatility and wide range of accessories provide excellent surgical access and patient stability in the sitting position.

- Multi-posture armboard with 2" (51 mm) pad
- Posterior sitting attachment (#1801)
- Multipoise headrest
- Neuro seat plate
- Restraint strap
- Clark sockets or tri-clamps





Neurosurgery: Spinal

Ultra-precise articulation ensures exact positioning of the patient.

Reverse orientation provides superior imaging capability.

- X-ray tops
- Armboards with 3" (76 mm) pads
- Foot extension with siderail locks
- Restraint strap



Shoulder Table

The Shoulder Table accessory for the Amsco 3085 SP provides selective access to both anterior and posterior aspects of a patient's shoulder and upper arm without the need to move the patient during surgery, and provides the patient adequate torso and head support.

- Multi-posture armboard
- Clark socket or multi-accessory clamp
- Lateral brace
- Siderail lock
- Restraint strap

Amsco® 3085 SP Table Specifications

Table Length	76" (193 cm)
Table Width	20" (508 cm)
Table Height Range	27" to 44" (686-1118 cm)
Patient Weight Capacity	1,000 lbs. (454 kg) – normal orientation 500 lbs. (227 kg) – side tilt & reverse orientation
Table Shipping Weight	918 lbs. (416 kg) electric-powered 920 lbs. (417 kg) battery-powered X-ray tops add 40 lbs. (18 kg) to shipping weight
Upper Body Imaging Area	Normal orientation (28" x 16") 448 sq. in. (2890 cm ²) Normal orientation with IA extender (36" x 16") 576 sq. in. (3716 cm ²) Reverse orientation, head section reversed (45" x 16") 720 sq. in. (4645 cm ²) Reverse orientation, 36" carbon fiber fluoro extension (36" x 20") 720 sq. in. (4645 cm ²)
Lower Body Imaging Area	Normal orientation (33" x 14") 462 sq. in. (2980 cm ²) Normal orientation, head section reversed (45" x 16") 720 sq. in. (4645 cm ²) Normal orientation, 36" carbon fiber fluoro extension (36" x 20") 720 sq. in. (4645 cm ²) Normal orientation with Fem/Pop board (55" x 16") 880 sq. in. (5678 cm ²)
Hand control features	Normal/reverse orientation button Return to level button
Trendelenburg / Reverse	25° / 25°
Lateral Tilt (left/right)	18° / 18°
Head Section	+90° to -90°
Back Section	+55° to -25° (normal) +80° to -105° (reverse)
Leg Section	+80° to -105° (normal) +55° to -25° (reverse)
Flex/Reflex	20° / 25°
Manual Override	Yes
Perineal Cut-out	Yes
Kidney Elevator	4" (10 cm.) manual
Battery-powered models	ST010101 standard table ST010102 table with X-ray top ST010301 HERMES®-ready table ST012101 ACT-enabled table for Karl Storz OR1®
Electric-powered models	ST010201 standard table ST010202 table with X-ray top ST010401 HERMES-ready table ST012201 ACT-enabled table for Karl Storz OR1®

HERMES is a registered trademark of Intuitive.

OR1 is a registered trademark of Karl Storz Endoscopy, Inc.

SIDNE is a registered trademark of STRYKER Corporation.

For more information on our Amsco 3085 SP surgical table or any of our other products for the surgical environment, contact your STERIS representative or call 800-JIT-4-USE (800-548-4873).

STERIS OFFICES WORLDWIDE

Benelux	32 2 523 2488	Japan	81 3 5521 2104
Canada	800 661 3937	Korea	82 2 517 1517
China	86 21 6137 1166	Latin America	800 884 9550
France	33 0 2 38 70 83 50	Malaysia	6 03 7954 9822
Germany	49 2203 890 6969	Singapore	65 68 41 7677
Greece	30 210 6800848	Spain	34 91 658 5920
India	91 33 2367 5150	Switzerland	41 32 376 0200
Italy	39 22 130341	United Kingdom	44 1256 840400

Document # M2502EN.2008-05, Rev. A
Printed 05/2008, 7500

©2008 STERIS Corporation.
All rights reserved. Printed in USA.



STERIS Corporation
5960 Heisley Road
Mentor, OH 44060-1834 ■ USA
440-354-2600 ■ 800-548-4873
www.steris.com