

SETTING THE STANDARD

in all-purpose, superior imaging tables.

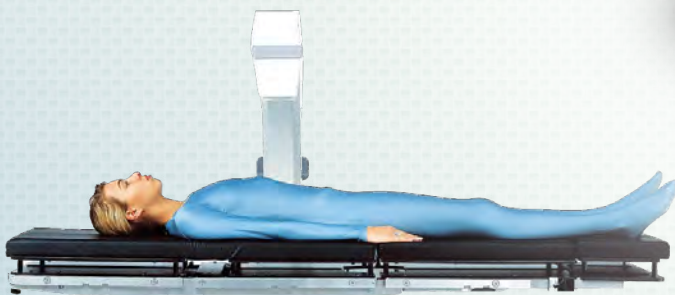


STERIS® 4085 GENERAL SURGICAL TABLE

Advancing Care Through Practical Innovation

PRODUCTIVITY AND FLEXIBILITY maximizes value.

Surgical budgets and schedules are tighter than ever. The **STERIS 4085 general surgical table** meets your needs with a versatile, high-productivity general surgical table specifically designed to provide outstanding value. Now you can get a table that offers excellent imaging and patient posturing capabilities all in one.



SUPERB C-ARM ACCESS provides excellent imaging.

The STERIS 4085 general surgical table's narrow column, radiolucent table top and superb slide provide one of the largest imaging footprints on the market today. That means outstanding access for the C-arm and surgical team...without time-consuming patient reorientation. The generous imaging area permits clear, high quality images crucial to today's MIS, cardiothoracic, orthopedic and neurosurgical procedures.



OUTSTANDING VERSATILITY boosts efficiency.

The STERIS 4085 general surgical table is exceptionally intuitive, saving valuable minutes in the OR. Its four-section table top contours to all patient postures, while the powered slide improves C-arm access, and the leg section is easily removable for unrestricted perineal access. A powered, radiolucent kidney elevator enhances lateral procedures.

Its generous weight limits allow for use with virtually all patients. Its light weight makes it easy to move, while its impact-resistant, cascading shrouds enable fast, easy cleaning.



INTELLIGENT CONTROLS make it easy to use.

The STERIS 4085 general surgical table's intuitive hand control instantly telegraphs table positioning data to caregivers with an easy-to-read digital display...without lifting the sterile drape. For added safety, an auto limit sensor (ALS) eliminates unintended sectional collisions.

Easier access improves patient outcomes.

The four-section table top is powered by smooth functioning hydraulics and was specially designed to allow clear access to the operative site, and to improve patient outcomes.



STERIS 4085 GENERAL SURGICAL TABLE



Quick, safe patient positioning

Ergonomically designed, lightweight hand control features easy-to-read icons. The “flex,” “reflex” and “level” functions help ensure quick and safe patient positioning. The dual step “floor lock” and “unlock” function enhances patient safety by preventing the table from being inadvertently unlocked during a case.



Smooth finite headrest adjustment to provide the right access at the right time

Electro-hydraulic 4-section table top with powered radiolucent kidney elevator for smooth patient posturing

Power panel with dual power modes (batteries or live current) allow for both convenience and continual power

Integrated manual override system for emergency backup

Patient Weight Capacity (Patient in Normal Orientation)

- 1,100 lb. (500 kg) patient support, including raise/lower (centered on the column)
- 1,000 lb. (454 kg) full table articulation (centered on the column)
- 600 lb. (272 kg) full table articulation, including slide



SELF-LEVELING FLOOR LOCKS
Unique self-compensating hydraulic system



EXCELLENT ACCESS
Compact base maximizes foot room for easy access



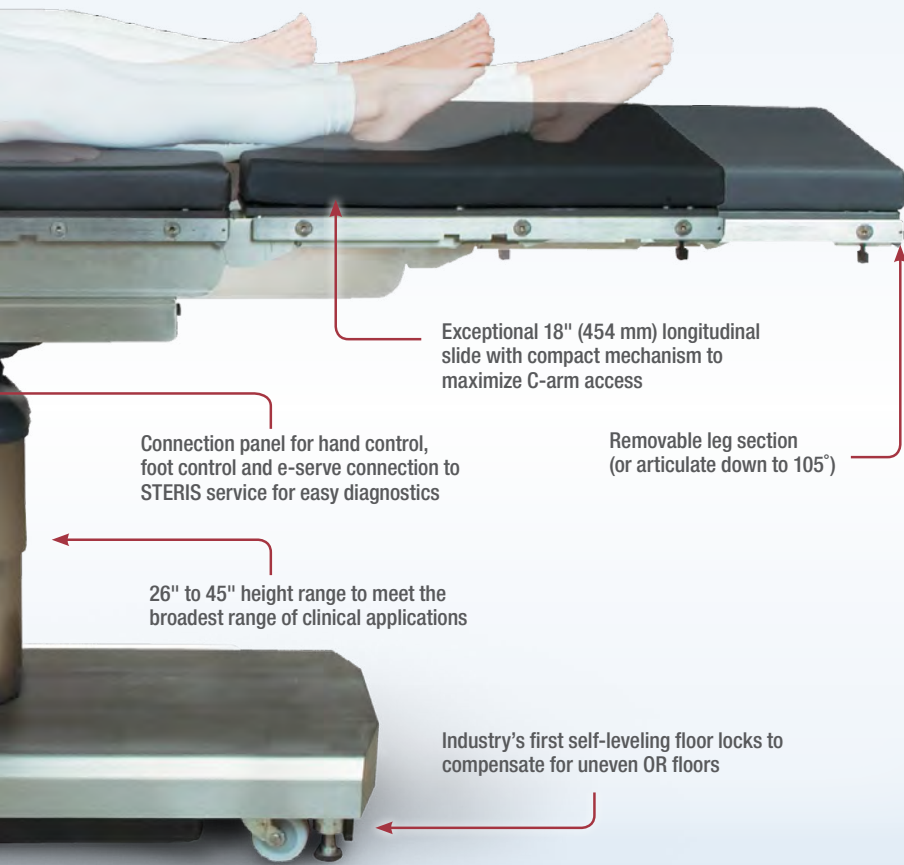
REMOVABLE LEG SECTION
Provides unobstructed access to the perineal area (with no protruding pins)

Articulation sensors protect table

An indicator informs and prevents sectional conflict, displaying alternative table movements on the LCD readout. As you lower the foot section, for example, the auto limit sensor control stops the section before it collides with the table base, alerts you to the problem and suggests an alternative articulation, protecting your investment in the table.

Easy access to needed data

The display provides the user with an accurate and continuous table status. The LCD readout communicates valuable ALS information, floor lock status and kidney bridge elevation, thus eliminating the need to lift the sterile drape.



Exceptional 18" (454 mm) longitudinal slide with compact mechanism to maximize C-arm access

Removable leg section (or articulate down to 105°)

Connection panel for hand control, foot control and e-serve connection to STERIS service for easy diagnostics

26" to 45" height range to meet the broadest range of clinical applications

Industry's first self-leveling floor locks to compensate for uneven OR floors



INTEGRATED MANUAL OVERRIDE SYSTEM
Easy access to override hand control and foot pedal to provide articulation even when power is out



EASY-TO-READ INDICATORS
Continuous battery level status



LARGE IMAGING AREA

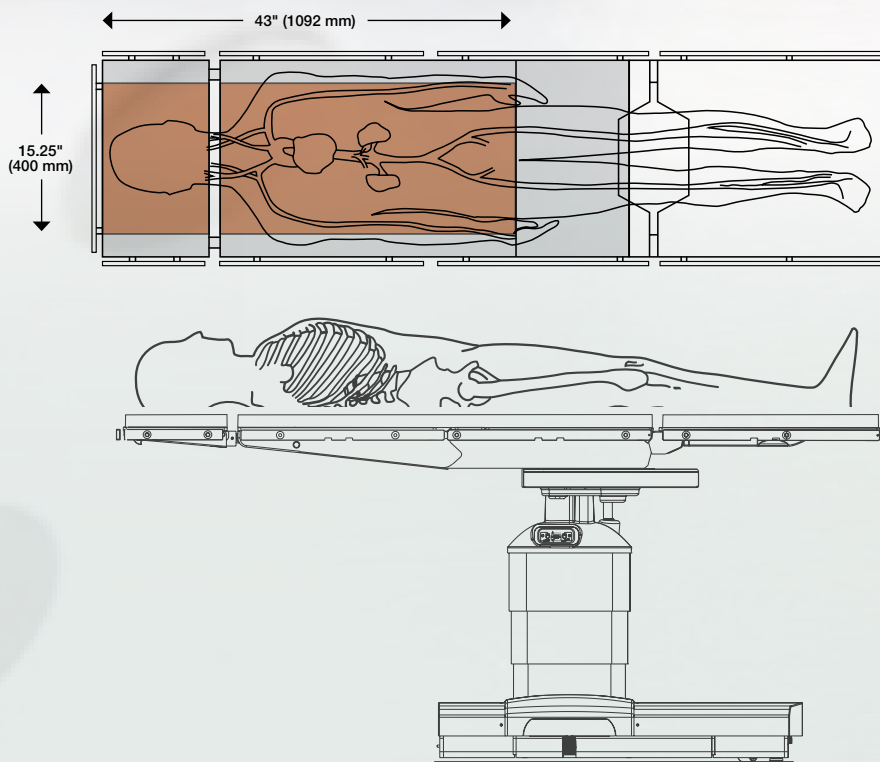
Upper Body IA Coverage

Table slid to head

Imaging length: 43" (1092 mm)

Total imaging area: 655.75 sq. in. (4368 sq. cm.)

- Pacemaker insertions
- Hickman catheters
- Broviac insertions
- Shunts
- IVC filters
- Cholangiography
- Lung biopsies
- Thoracic and kidney
- Gall bladder
- Total hip revision
- Ophthalmic
- Neurosurgery
- Spinal
- Implantable defibrillation
- Endoscopy



Centered IA Coverage (not shown)

Imaging length:

34" (864 mm) to head

34" (864 mm) to foot

Total imaging area:

518 sq. in. (3456 sq. cm.) to head

514 sq. in. (3320 sq. cm.) to foot

LIGHTEN YOUR WORKLOAD



Featherweight Leg Section

This modular, 24-inch removable leg section's carbon fiber construction makes it strong and ideal for imaging. It surpasses AORN guidelines for repeated lifting in the OR at only 14 lbs.

Short featherweight flexibility

You can articulate the leg section down to -105° , enabling you to leave the leg section attached during the procedure. The table can go down to a low position of 26 inches. Improve the ease and ergonomics of procedures by achieving a low height for a more comfortable position, especially when seated.



Also available in an 18-inch length for convenience in orthopedic, gynecological and urological procedures.

Lower Body IA Coverage

Table slid to foot

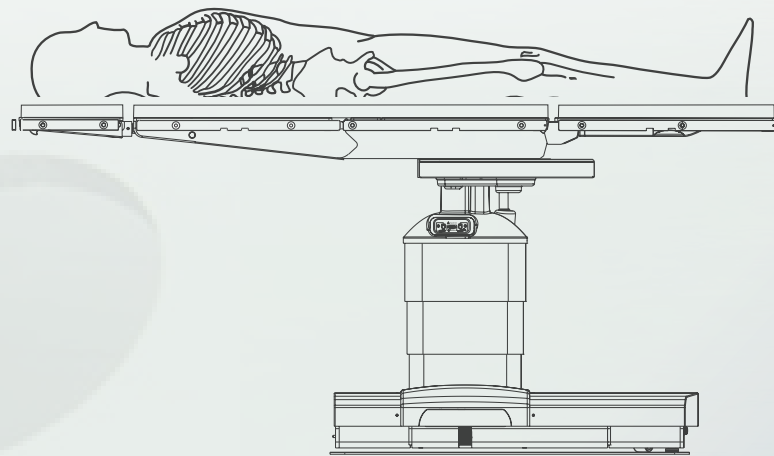
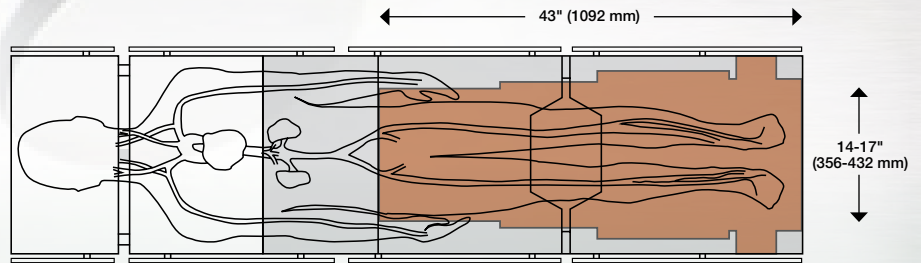
Imaging length: 43" (1092 mm)

Total imaging area: 682.5 sq. in. (4403 sq. cm.)

Image length with head section reversed (not shown): 55" (1397 mm)

Total imaging area with head section reversed (not shown): 865.5 sq. in. (5584 sq. cm.)

- Lower body arterial imaging
- Lower limb, non-traction orthopedics
- Femoral/popliteal bypass
- Laser angioplasty



Lithotomy IA Coverage (not shown)

Imaging length: 19" (483 mm)

Total imaging area: 266 sq. in. (1719 sq. cm.)
(without the use of the 4085 UroEndo Extension, which adds additional IA)

- Cystoscopy
- Endourology
- Gynecology and abdominal
- Nissen fundoplication

A FIRM HANDLE ON TABLE POSITIONING

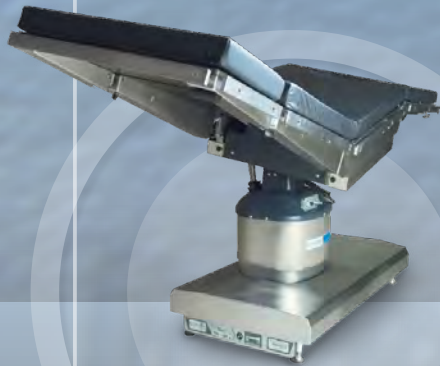
An intuitive hand control puts patient posturing at your fingertips. With an ergonomic design and easy-to-read LCD readout display, it communicates instantaneous table positioning data... without lifting the sterile drape.

- **LCD** provides information on potential table section interference through the auto limit sensor function, overall table status and service diagnostics

- **Return-to-level button** quickly and safely returns the patient to a level position, maintaining homeostasis
- **Dedicated buttons** offer instant access to smooth sectional articulation, floor lock activation and patient positioning (Trendelenburg, height, tilt, level and stop)
- **Backlit screen** for clear viewing in darkened rooms



Technical Specifications



Feature	Description
Table Length	81" (2057 mm)
Table Width	20" (508 mm) / 22" (547 mm) with side rails
Table Height Range	26 to 45" (675-1143 mm)
Tabletop Slide Range	9" (227 mm) to head, 9" to foot
Patient Weight Capacity*	1,100 lb. (499 kg) patient support, including raise/lower (centered on the column) 1,000 lb. (454 kg) full table articulation (centered on the column) 600 lb. (272 kg) full table articulation, including slide
Table Shipping Weight	560 lb. (254 kg)
Trendelenburg/Reverse	30° / 30°
Lateral Tilt (left/right)	20° / 20°
Head Section	+90° / -90°
Back Section	+80° / -40°
Leg Section	0° / -105° (removable)
Flex/Reflex	140° / 100°
Manual Override	Yes
Perineal Cut-out	Yes
Kidney Elevator	4" powered radiolucent
*Patient in Normal Orientation.	

For more information, contact your STERIS representative or visit www.steris.com.



STERIS Corporation
5960 Heisley Road
Mentor, OH 44060-1834 • USA
440-354-2600 • 800-548-4873
www.steris.com